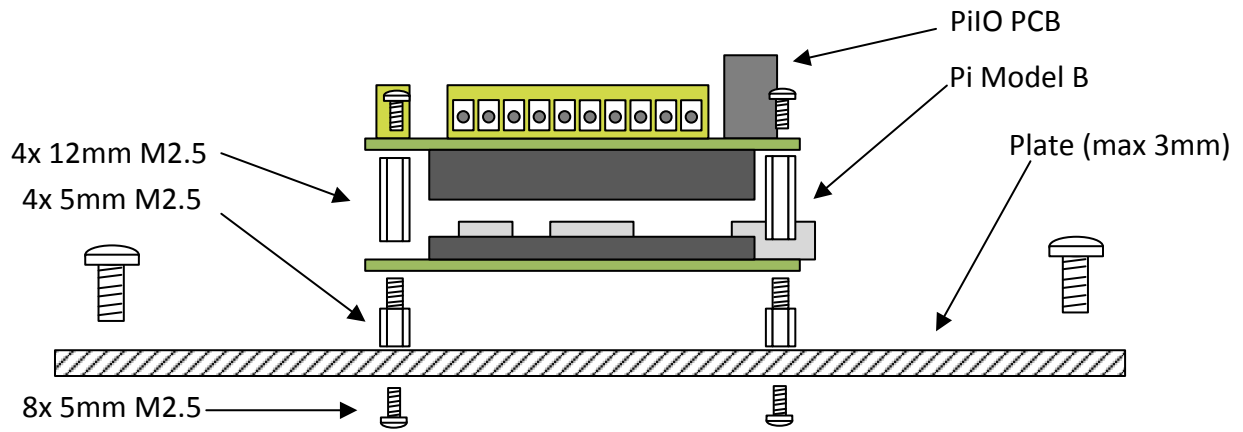
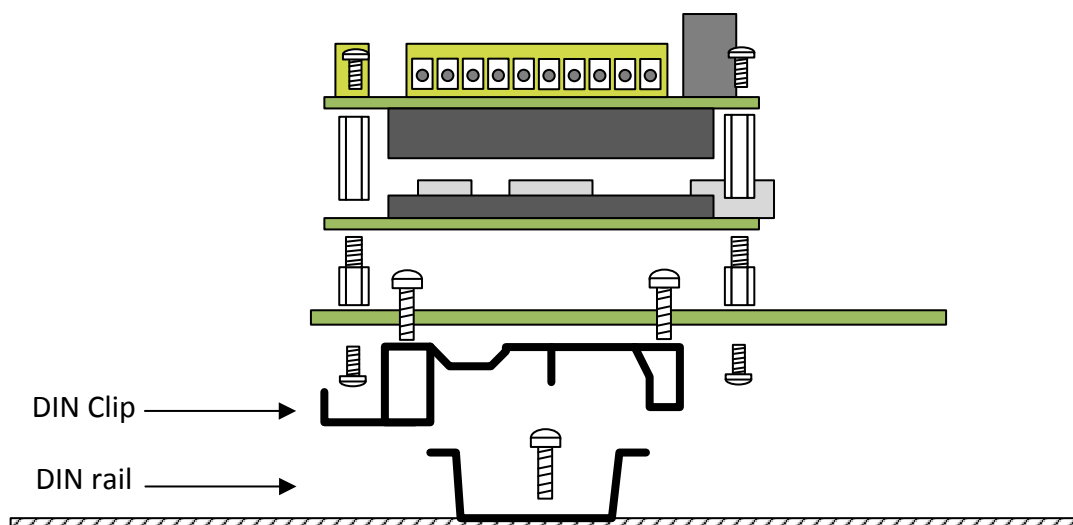
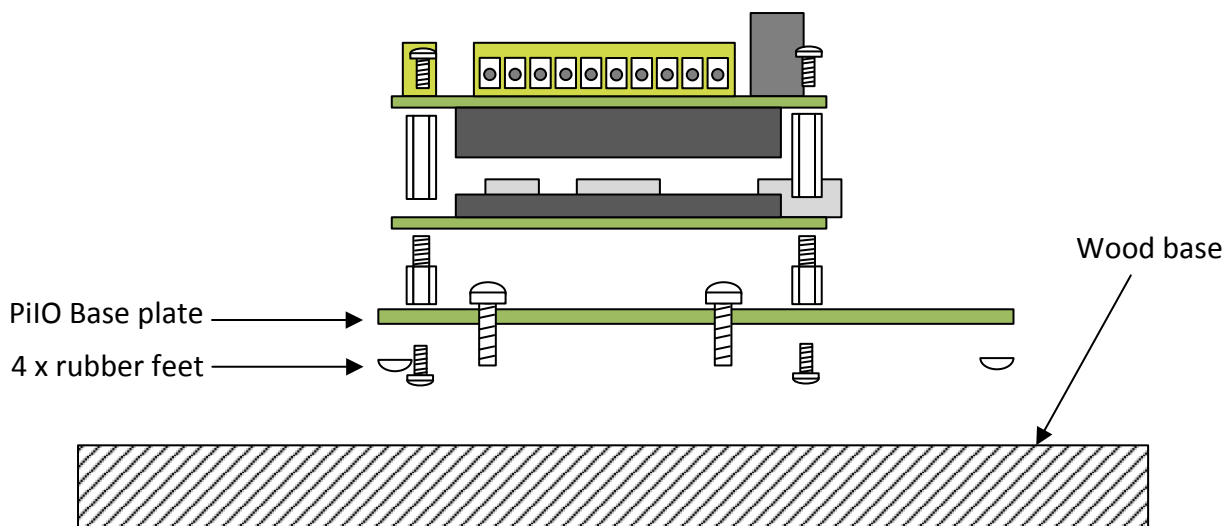


Standard mounting kit



Standard + DIN mounting kit



Drawing	PiIO STD / DIN Mounting
Date	29 May 2021
Rev	0