

1

2

3

4

A

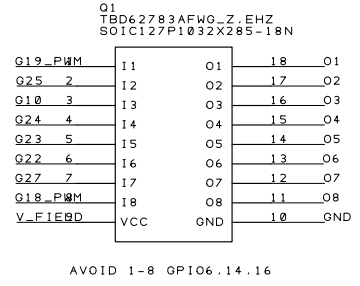
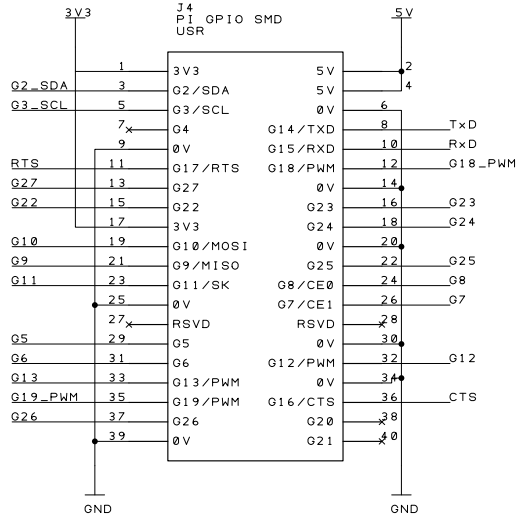
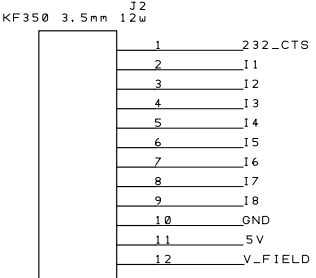
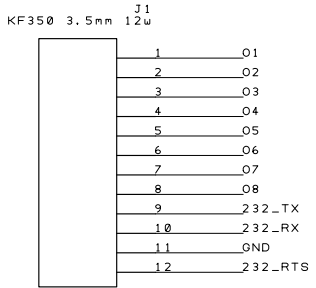
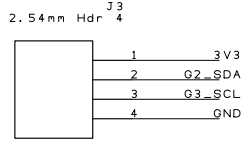
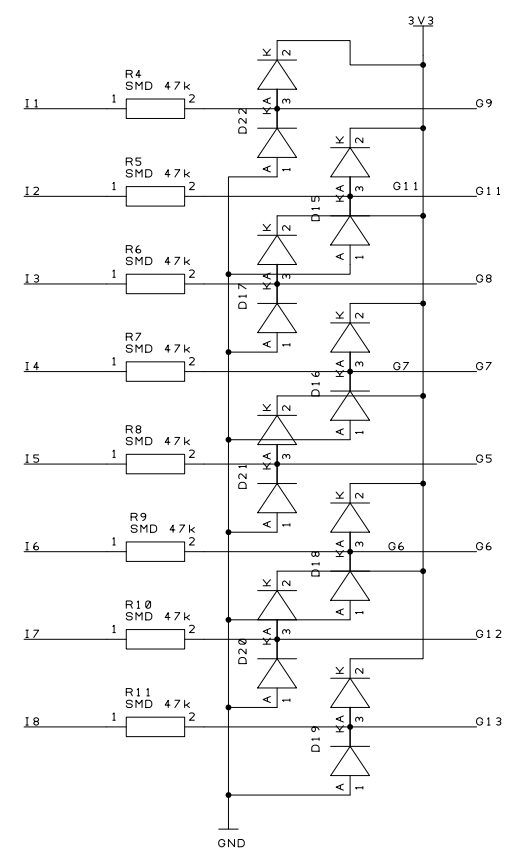
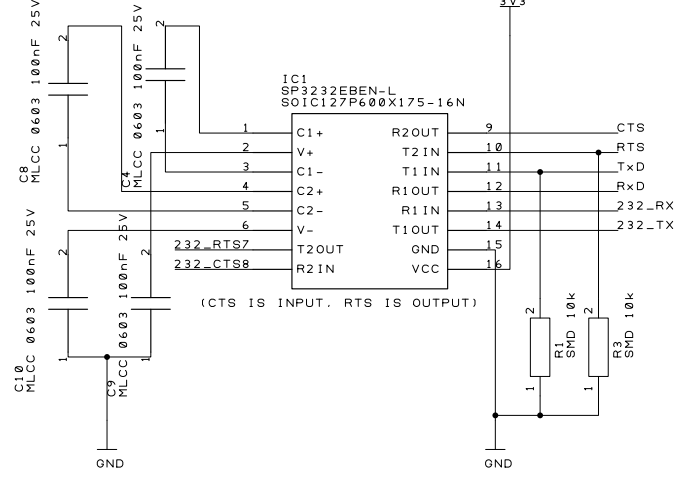
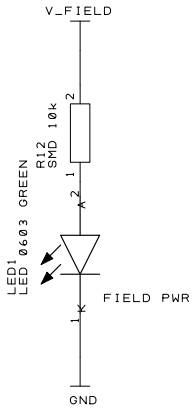
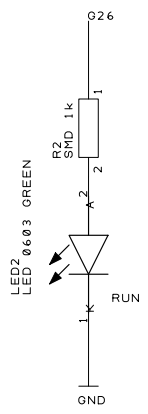
B

C

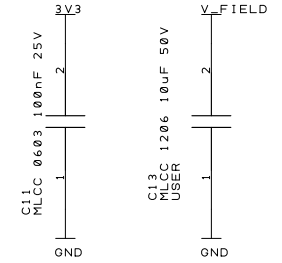
D

E

F



AVOID 1-8 GPIO6.14.16



TITLE: P110 232 PCB		
DRAWN BY: K Lawson	REVISION: 1	DATE: April 2021
STATUS: Released for mfr	SHEET: 1 OF 1	A4