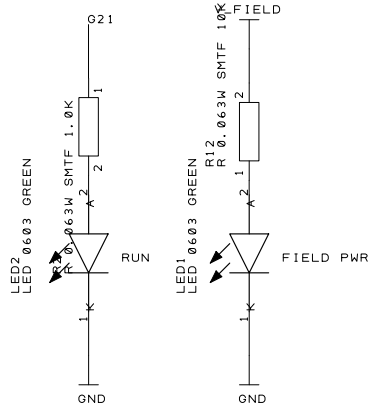
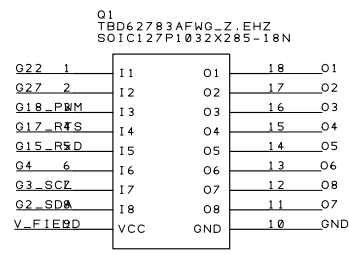


1

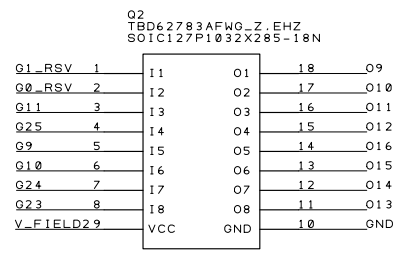
A



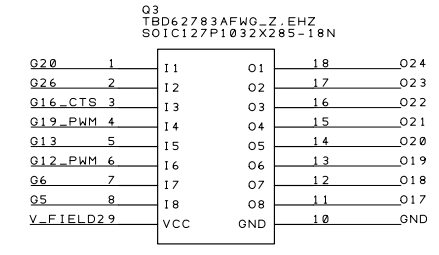
B



D

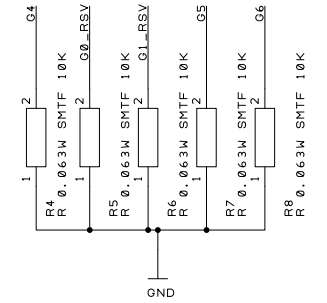
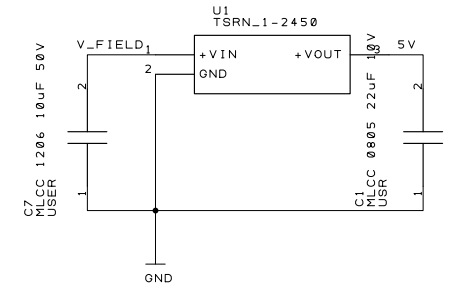
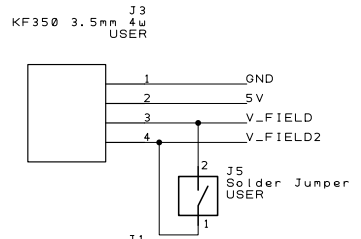


E

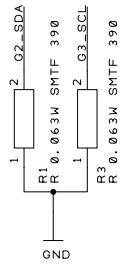
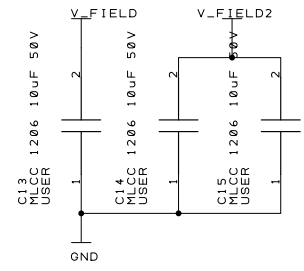
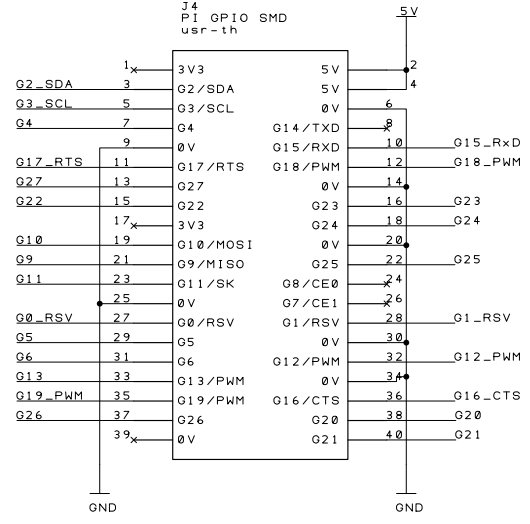
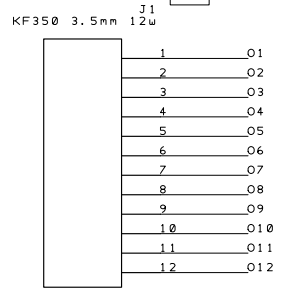


F

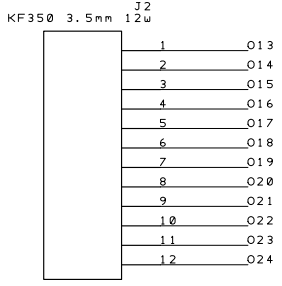
2



3



4



TITLE: P110 DO PCB		
DRAWN BY: K Lawson	REVISION: 2	DATE: May 2021
STATUS: Draft	SHEET: 1 OF 1	A4