

1

2

3

4

A

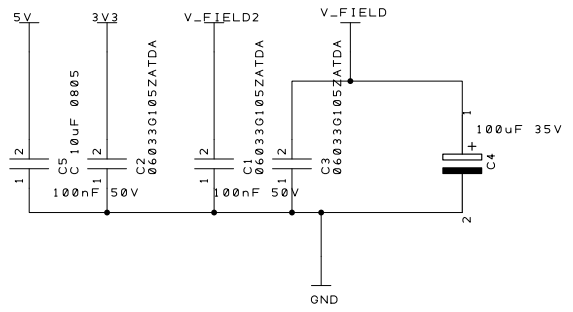
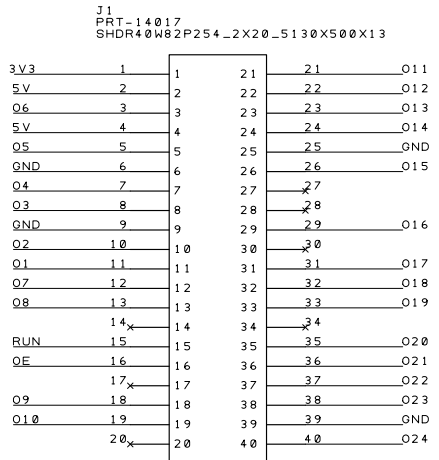
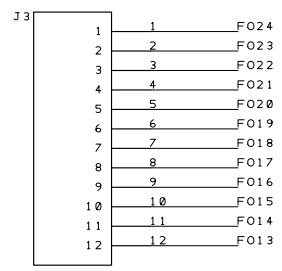
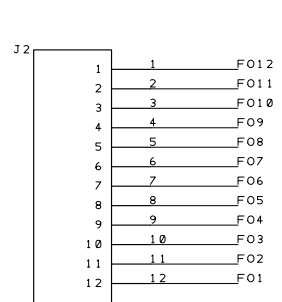
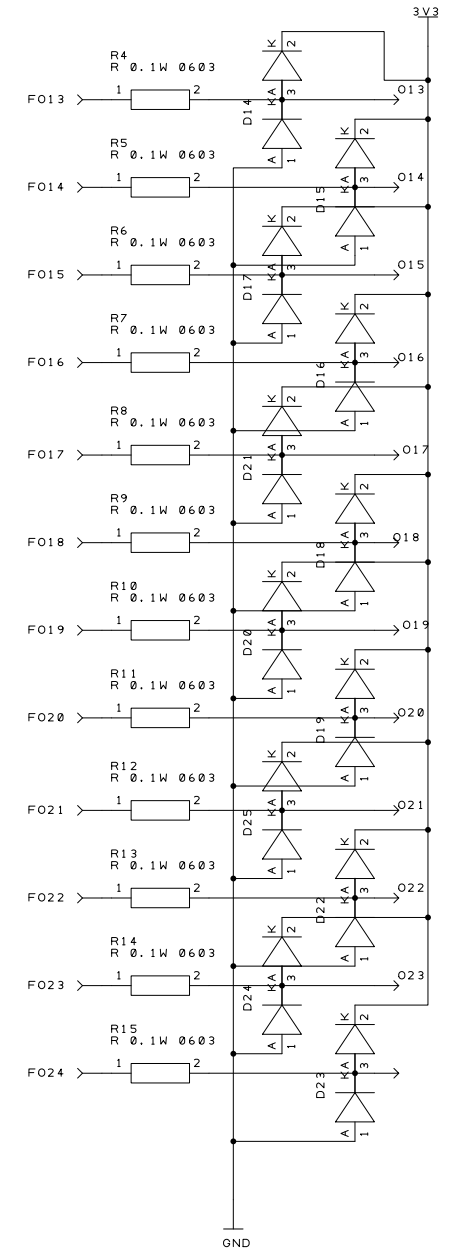
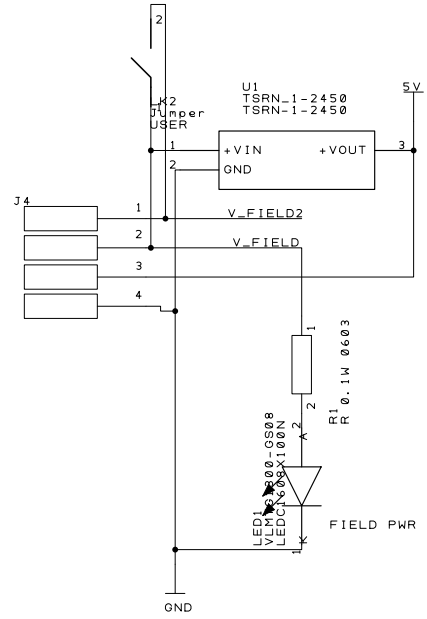
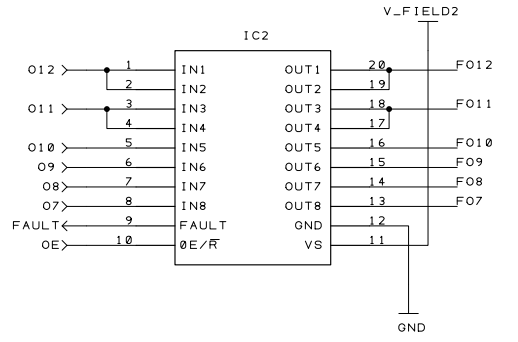
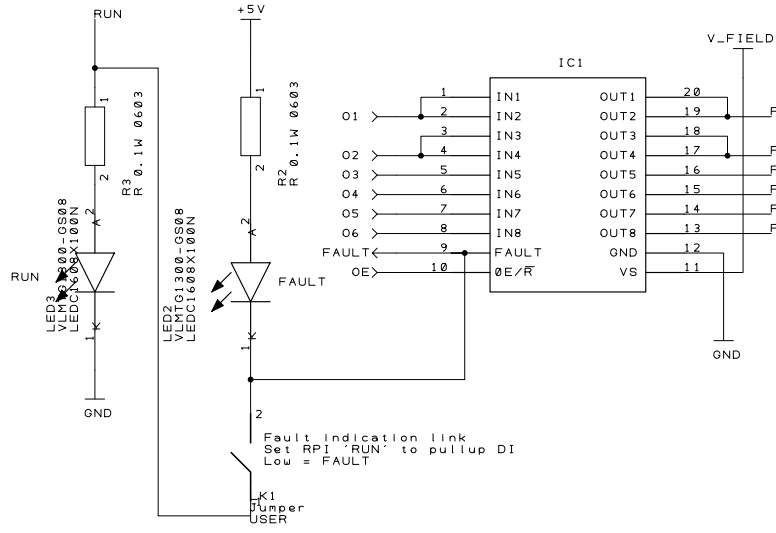
B

C

D

E

F



TITLE: PII0 DIO PCB		
DRAWN BY: K Lawson	REVISION: 2	DATE: 7 Apr 11 2020
STATUS: Released	SHEET: 1 OF 1	A4