

1

2

3

4

A

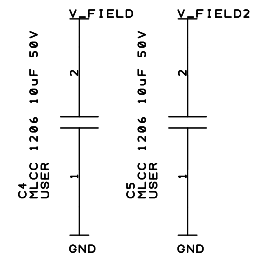
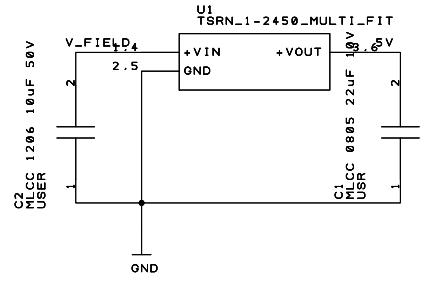
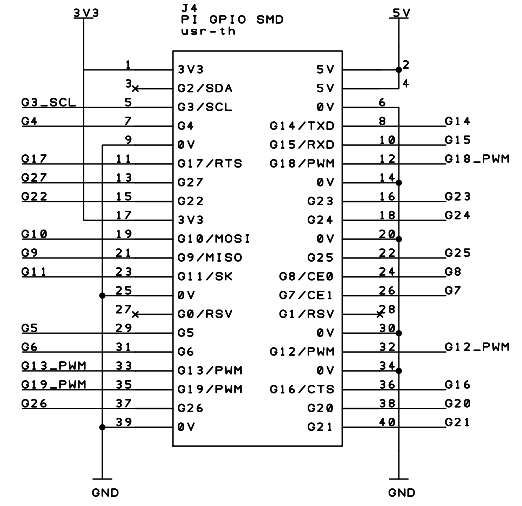
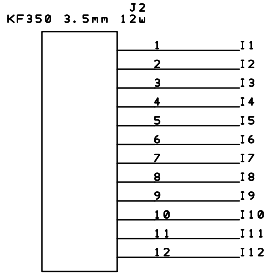
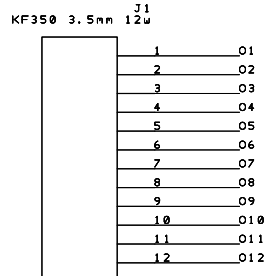
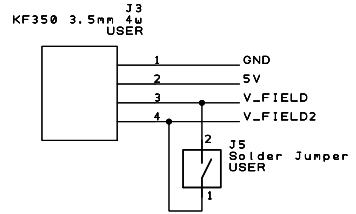
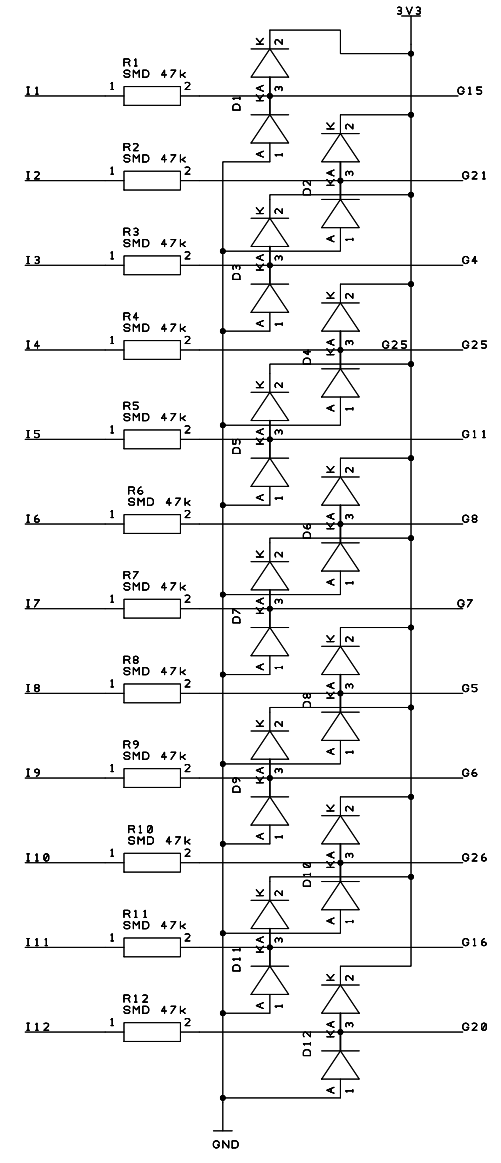
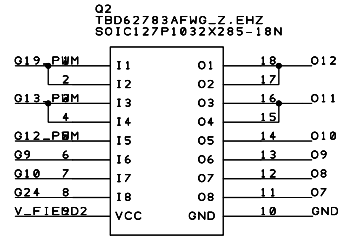
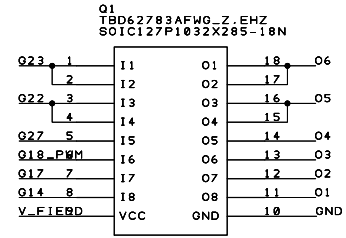
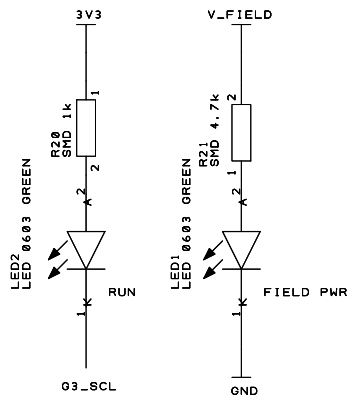
B

C

D

E

F



TITLE: Pi IO DIO H PCB		
DRAWN BY: K Leuson	REVISION: 4	DATE: Jan 2022
STATUS: Released for mfr	SHEET: 1 OF 1	A4